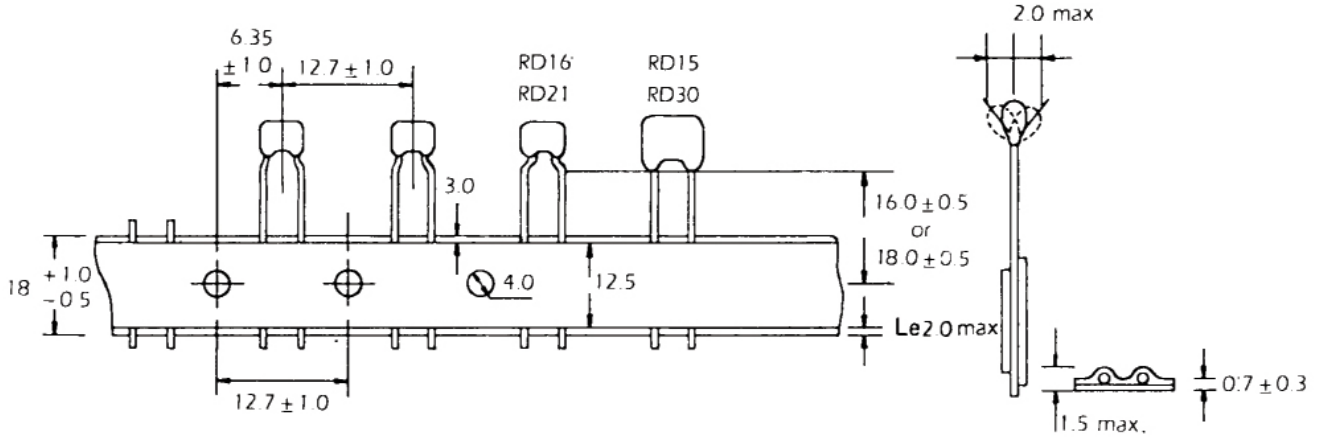




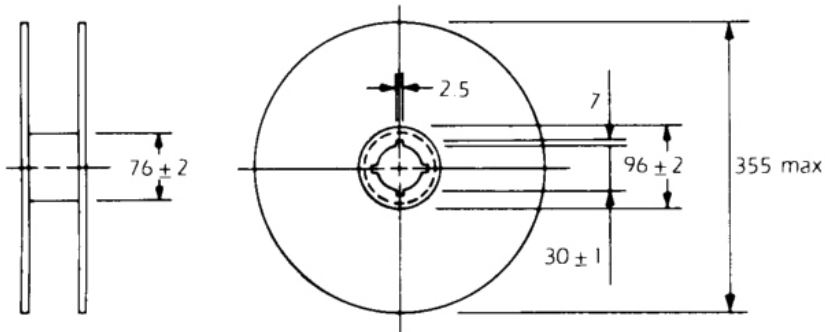
**RADIAL-LEADED, EPOXY-DIPPED MULTILAYER CERAMIC CAPACITORS**

**TAPING DIMENSIONS (mm):**

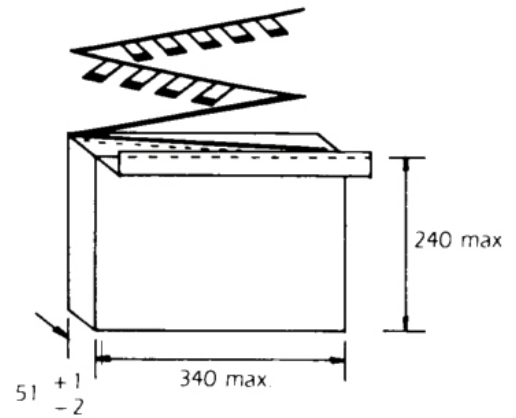


**REEL & BOX DIMENSIONS (mm):**

Reel Package (Code RR)



Box Package (Code BR)



**PACKAGING QUANTITY:**

SIZE CODE	TAPING TYPE		BULK TYPE
	QUANTITY PER REEL	QUANTITY PER BOX	QUANTITY PER BAG
RD15, RD16	3,000	2,000	500
RD20, RD21	3,000	2,000	500
RD30	3,000	1,500	500